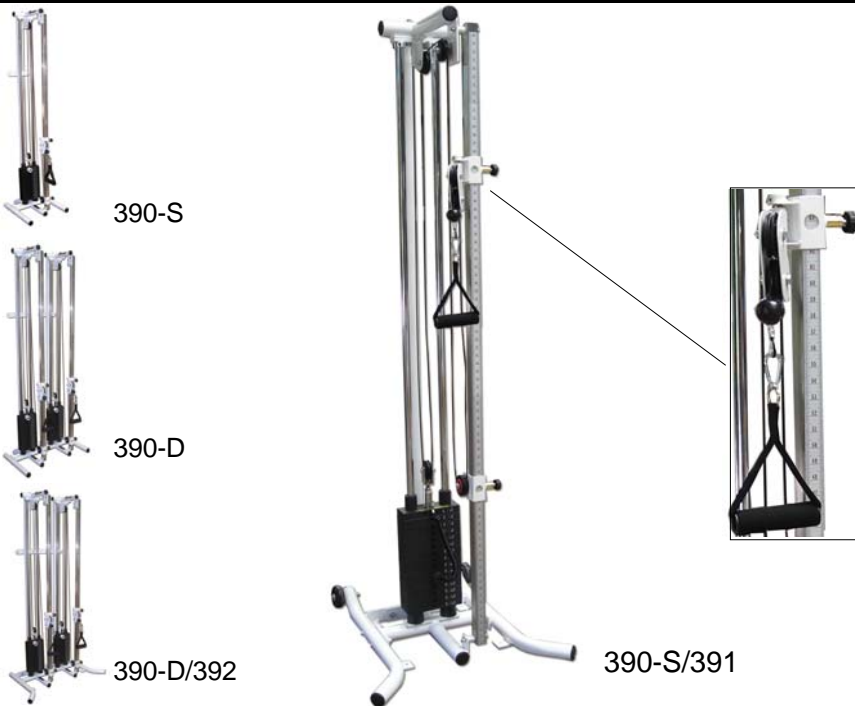


Product Specification Sheet

www.endorphin.net



390 Standard Pulley Series



	Freight Shipping Dimensions		Product Dimensions	
	US / Metric		US / Metric	
390-S Std. Single Wall Mount (class 250)	215 lbs. / 98 kg	L - 36" / 91 cm	185 lbs. / 84 kg	L - 20" / 51 cm
		W - 36" / 91 cm		W - 20" / 51 cm
		H - 89" / 226 cm		H - 84" / 213 cm
390-D Std. Double Wall Mount (class 175)	400 lbs. / 182 kg	L - 36" / 91 cm	370 lbs. / 168 kg	L - 20" / 51 cm
		W - 36" / 91 cm		W - 35" / 89 cm
		H - 89" / 226 cm		H - 84" / 213 cm
390-S/391 Single Free Stand/Mobile Frame (class 250)	230 lbs. / 105 kg	L - 36" / 91 cm	200 lbs. / 91 kg	L - 30" / 76 cm
		W - 36" / 91 cm		W - 28" / 71 cm
		H - 89" / 226 cm		H - 84" / 213 cm
390-D/392 Double Free Stand Frame (class 150)	420 lbs. / 191 kg	L - 36" / 91 cm	385 lbs. / 175 kg	L - 26" / 66 cm
		W - 36" / 91 cm		W - 44" / 112 cm
		H - 89" / 226 cm		H - 84" / 213 cm

specifications

Vendor Part Number:

- 390-S - Single Wall Mount
- 390-D - Double Wall Mount
- 390-S/391 - Single Free Standing / Mobile
- 390-D/392 - Double Free Standing

Suggested Retail Price:

- 390-S - \$1,674.⁷⁵
- 390-D - \$3,039.⁷⁵
- 390-S/391 - \$1,989.⁷⁵
- 390-D/392 - \$3,617.²⁵

Options:

- 391 - Single Free Standing / Mobile Frame
 - 392 - Double Free Standing Frame
- A 100 lb / 45.5 kg physical weight stack is available providing 50 lb / 23 kg of resistance weight

Assembly:

390-S, 390-D and 390-S/391 are fully assembled ready to be placed into the facility. 390-D/392 requires partial assembly of the base

Function:

A functional, versatile and durable pulley system designed to conform to any rehab setting, the 390 offers a total body workout from either a standing or seated position. The 390 is an adjustable column pulley with a single handle. The handle height and start position are adjustable in 2" increments. Four modular platforms allow the pulley system to be either wall mounted, free standing and / or mobile. Starting weight is 2.5 lb / 1.1 kg with 1.25 lb increment resistance changes which is ideal to rehab function, strength and coordination.

Construction:

Durable powder coated 11 gauge tubular steel and polished stainless steel adjustment column. High speed pulleys and military spec rope provide the maximum of uninterrupted service.

Features:

- A 75 lb / 34 kg physical weight stack providing 37.5 lb / 17 kg of resistance weight with a 2.5 lb / 1.1 kg top plate and 1.25 lb increment resistance changes
- A 76" vertical scale adjustable in 2" increments for accurate and repeatable treatments
- A single grip handle connected at an adjustable pivot pulley to allow for a wide range of motion.

The modular design allows the pulley system to be converted from wall mounted to free standing / mobile and/or expanded to a double or tri free standing pulley.



Endorphin's industry best warranty:

- 1 year bumper to bumper on all parts
- 5 years on all moving parts
- 20 years on the frame



6901 90th Ave. North, Pinellas Park, FL 33782
 phone 727-545-9848 toll free 800-940-9844 fax 727-546-0613
 www.endorphin.net sales@endorphin.net

